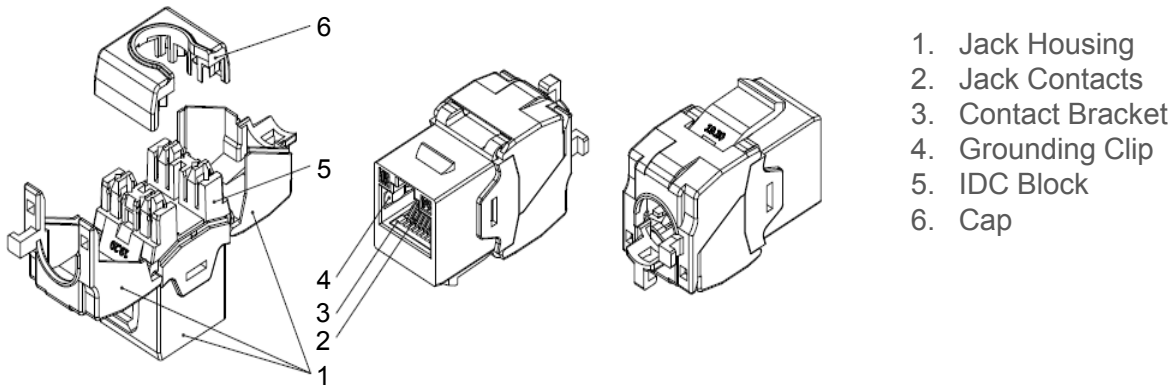


DS CODE:
200104

LS Simple™ Cabling Solution

LS-MJ-SC6A-ERI



Description

LS Simple™ Shielded Modular Jack

- User instructions and basic wiring layout for standard configuration are included.
- 180 degree Enhanced Rear IDC type Modular Jack
- Designed and manufactured to meet demanding of international standards.
- Individually terminated using slim-IDC(Insulation Displacement Connectors)
- T568A or T568B configuration
- 47 CFR part 68(RJ-45), ANSI/TIA-568-C.2(Category 6A), ISO/IEC 11801 and EN50173 compliant
- RoHS compliant
- High impact flame retardant plastic housing
- Easy installation & smart cabling arrangement by wiring cap

Application

- Horizontal Distribution & Backbone Cabling
- 4/16 Mbps Token Ring (IEEE 802.5)
- 10/100/1000/10G BASE-T (IEEE 802.3)
- 155 Mbps
- ATM LAN 1.2G
- 100Mbps TP-PMD
- ISDN, ADSL
- Analog & digital voice(VoIP) and video
- Full broadband and baseband video

Part Numbers

Description	Dimension (H x W, inch)	Part Numbers	Compatible Items
Shielded Category 6A Modular Jack	19.5 X 16.4 X 36.2	LS-MJ-SC6A-ERI	Panel : LS-PP-24P(48P)-E-WM LS-PPP-SC-24P-E4-C (Plate type) LS-APP-SC-24P-E4-C (Angled type) Outlet : LS-FP-SA(SF)(US) series Tool : LS-EZT-TOOL-ER

DS CODE:
200104

LS Simple™ Cabling Solution

LS-MJ-SC6A-ERI

Technical Details

Item	Unit	Information
FEATURE		
Category		ANSI/TIA-568-C.2 Category 6A, 500MHz
Meet		47 CFR part 68
Wiring scheme		T568A/T568B
ELECTRICAL		
Current Rating	Amps	1.5
Insulation Resistance	Mega-ohm	> 500
Contact Resistance	milli-ohm	< 20
Dielectric withstand voltage, RMS, contact to contact	ohm	< 0.1
	VAC	< 1000 @ 60Hz
MECHANICAL		
Insertion Life	Mating cycles	750
Pull Force	lbs(N)	20(89)
Temperature	°C	-40~68
Humidity	% (RH)	10~90
IDC accept	AWG	23~26 (Solid wire)
PHYSICAL		
Grounding Clip		Stainless steel
Cap & Housing		High impact flame retardant plastic, UL 94 rated
Spring Wire		Phosphor bronze plated with 50µin thick gold over nickel undercoat
IDC Plastic		Polycarbonate, UL 94 rated
IDC Contact		Phosphor Bronze, plated with tin over nickel underplate

Drawing

